

For BENDING BEAM and SHEAR BEAM load cells

Up to 5000 kg application range

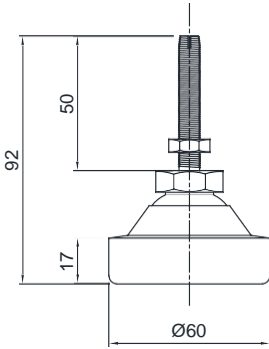


MAX STATIC LOAD	kg	THREAD	DIMENSIONS	MATERIAL	NET WEIGHT JOINT FOOT (kg)	CODE
500		M8	Ø60 x H 92 mm	stainless steel	0.3	PIEDINOSB2M8
500		M10	Ø60 x H 92 mm		0.3	PIEDINOSB2M10
2000		M12	Ø60 x H 92 mm		0.4	PIEDINOSB2INOX
2000		M12	Ø60 x H 78 mm		0.4	PIEDINOPXC
5000		M20	Ø80 x H 105 mm		0.9	PIEDINOSB2M20
2000		M12	Ø60 x H 78 mm	special steel	0.4	PIEDINOPXC
2000		M12	Ø60 x H 86 mm	galvanized steel	0.4	PIEDINOSB2ZNC
5000		M20	Ø62 x H 110 mm		0.9	PIEDINOSB2ZNCM20

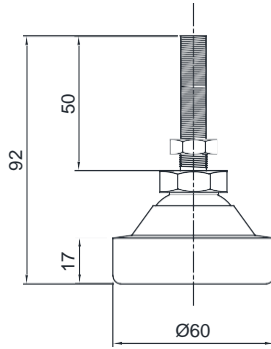
Nuts and washers included.

## DIMENSIONS AND APPLICATION

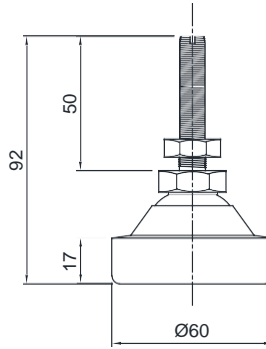
**PIEDINOSB2M8**  
M8x1.25



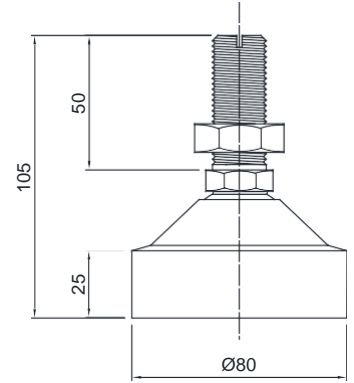
**PIEDINOSB2M10**  
M10x1.5



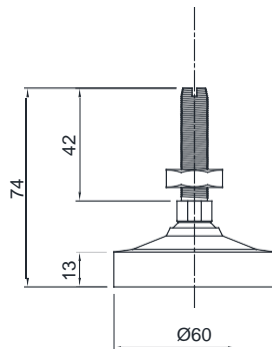
**PIEDINOSB2INOX**  
M12x1.75



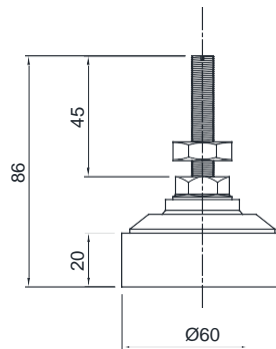
**PIEDINOSB2M20**  
M20x2.5



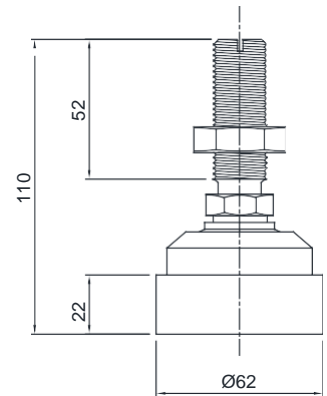
**PIEDINOPXCI**  
**PIEDINOPXC**  
M12x1.75



**PIEDINOSB2ZNC**  
M12x1.75



**PIEDINOSB2ZNCM20**  
M20x2.5



### EXAMPLE OF APPLICATION

