

Crane Scale JLG

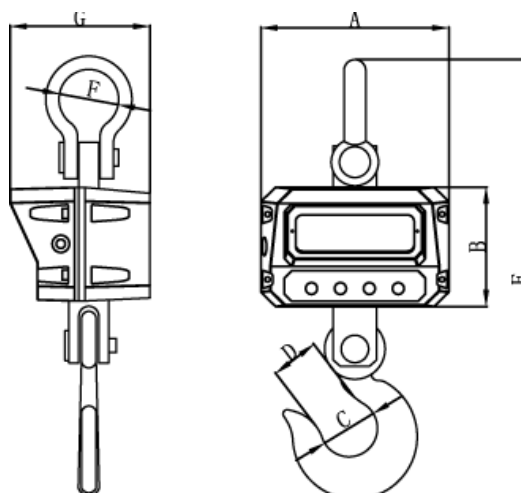
Rugged crane scale, easy to use. Capacities 600-15.000 Kg. Up to 150 h continues use with batteries. Zero, Tare and Hold function.



Heatshield as option

- ✓ Capacity from 600 kg to 15.000 kg.
- ✓ Easy operation and solid construction.
- ✓ 30 mm large bright red LED with wide angle view.
- ✓ 400 % tested overload.
- ✓ 1/3000 and 1/6000 division switch.
- ✓ Up to 150 hours battery time.
- ✓ Remote control with distance of 20 m and over.
- ✓ Auto off function to save battery.
- ✓ Tare- Zero- and Hold function.
- ✓ Heat shield as option.

JLG Specifications:



Dimensions and Capacity (All measurements are in mm)

Model:	A	B	C	D	E	F	G	Capacity:	Division:	Net weight:
JLG/GS-0,6	260	171	50	50	575	87	194	600 kg	0,2 / 0,1 kg	14 kg
JLG/GS-1T	260	171	50	50	575	87	194	1000 kg	0,5 / 0,2 kg	14 kg
JLG/GS-3T	260	171	50	50	575	87	194	3000 kg	1 / 0,5 kg	15 kg
JLG/GS-5T	260	171	60	63	615	89	194	5000 kg	2 / 1 kg	19 kg
JLG/GS-10T	260	171	75	100	740	100	204	10 000 kg	5 / 2 kg	33 kg
JLG/GS-15T	260	171	82	100	940	137	214	15 000 kg	10 / 5 kg	65 kg

Options:

Remote Display	Heat shield
----------------	-------------

Power requirement:

Adapter specification:	Input: 120/230V AC 50 ~ 60Hz Output: 9V / 800mA
Built in battery:	6V / 10Ah, rechargeable
Continues operation time:	150 hours continues use
Auto off function:	Yes

General:

Operating temperature	0°C to 40°C
Operating humidity	< 85%RH Max. (Non-condensing)
Max. overload	400 %