

High Accuracy Compression Load Cell



FEATURES

- Capacities 5,000, 10,000, 20,000, 30,000 and 50,000 kg
- Stainless Steel construction
- Small size, low profile
- Current matched and rationalised
- Fully welded, providing IP68 protection
- Factory Mutual and OIML R60, approved to 6000 divisions
- Hazardous area approved to EEx ia IIC T6

DESCRIPTION

Model 220 is a low profile bending ring load cell designed for high capacity weighing applications, including weighbridges, tanks, silos and high capacity platform scales as well as force measurement.

It's small physical size, combined with high accuracy and low cost, makes this load cell ideally suited for modern low profile designs in both approved applications and process weighing.

This high accuracy load cell has factory Mutual approval and is OIML R60 approved to 6000 divisions. For hazardous environments, this load cell has an EEx ia IIC T6 approved

option. When combined with Vishay Tedea-Huntleigh mounting accessories, this load cell will provide a simple, accurate and reliable weighing system.

The two additional sense wires feed back the voltage reaching the load cell. Complete compensation of changes in lead resistance due to temperature change and/or cable extension, is achieved by feeding this voltage into the appropriate electronics.

SPECIFICATIONS

GRADE	C1/20	C3/20	C4/30	C6/45**	UNITS
Rated Capacities	5,000, 10,000, 20,000, 30,000, 50,000***				kg
Rated Output	2.0 ± 10%				mV/V
Total Error*	0.050	0.020	0.017	0.01	±% of Applied Load
Zero Return after 30 mins	0.050	0.017	0.013	0.008	±% of Applied Load
Temperature Effect : On Output : On Zero	0.0040 0.0028	0.0010 0.0009	0.0010 0.0010	0.0006 0.001	±% of Rated Output/°C ±% of Rated Output/°C
Zero Balance	3.0	2.0			±% of Rated Output
Temperature Range : Operating : Compensated	- 30 to + 70 - 10 to + 40				°C °C
Safe Overload	150				% of Rated Capacity
Ultimate Overload	300				% of Rated Capacity
Excitation : Recommended : Maximum	10 15				Volts AC or DC Volts AC or DC
Input Impedance	1065 ± 50				Ohms
Output Impedance	1000 nominal				Ohms
Insulation Impedance	> 2000				MegaOhms
Deflection at Rated Capacity	< 0.5				mm
Weight: (including cable)	1.10 (5T), 1.50 (10T), 3.25 (20T, 30T & 40T)				kg
Construction	Stainless Steel				
Environmental Protection	IP68				
Cable	5m (5T), 10m (10 & 20T) 20m (30T - 50T), 6 Wire, Polyurethane, Double Screened				

*Total Error - According to OIML R60.

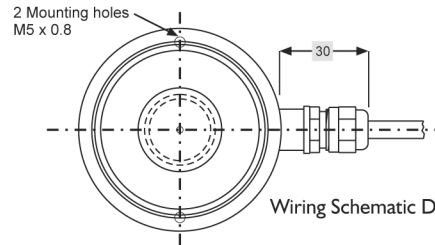
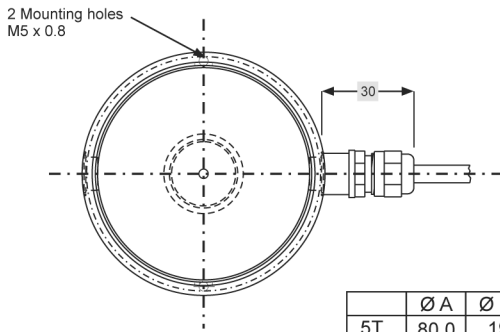
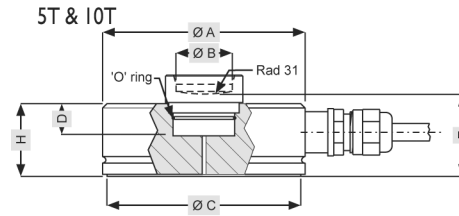
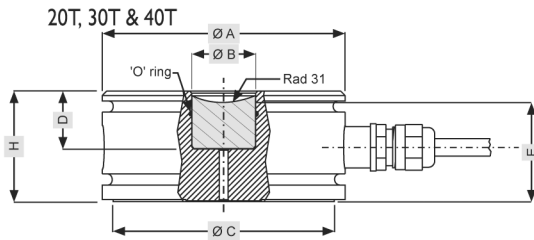
**Not available for 30,000 kg or 50,000 kg

***50,000 kg only 2.6 Mv/V rated output

High Accuracy Compression Load Cell

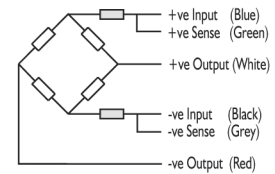
DIMENSIONS in millimeters

Outline Dimensions All Capacities in mm.



	Ø A	Ø B	Ø C	D	E	H
5T	80.0	19	70	20	33.4	30
10T	92.0	28	80	14.6	33.4	33
20T	110	29	101.5	26.3	39	50
30T	110	29	101.5	26.3	39	50
40T	110	29	101.5	26.3	39	50

Wiring Schematic Diagram



VISHAY TRANSDUCERS (VT) - SALES OFFICES



Contact Info
 E-mail: info@liden-weighing.se
 Website: www.liden-weighing.se